

30 x 50 Brine Tank Assembly Kit with 494 1" Commercial Brine Valve



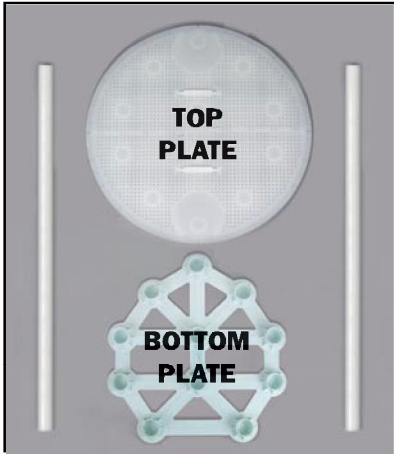
30 x 50 Brine Tank drilled to accept 1" Commercial Overflow Fitting



**494 1" Commercial Brine Valve
5 x 48 Slotted and Drilled Brine Well Component Kit
(Includes 2 Brine Well Caps, 1/2" and 1/8" Fitting Connections, 1" x 1/4" PVC Socket Elbow and 1" Male NPT PVC Elbow)**



1" Commercial Overflow Fitting

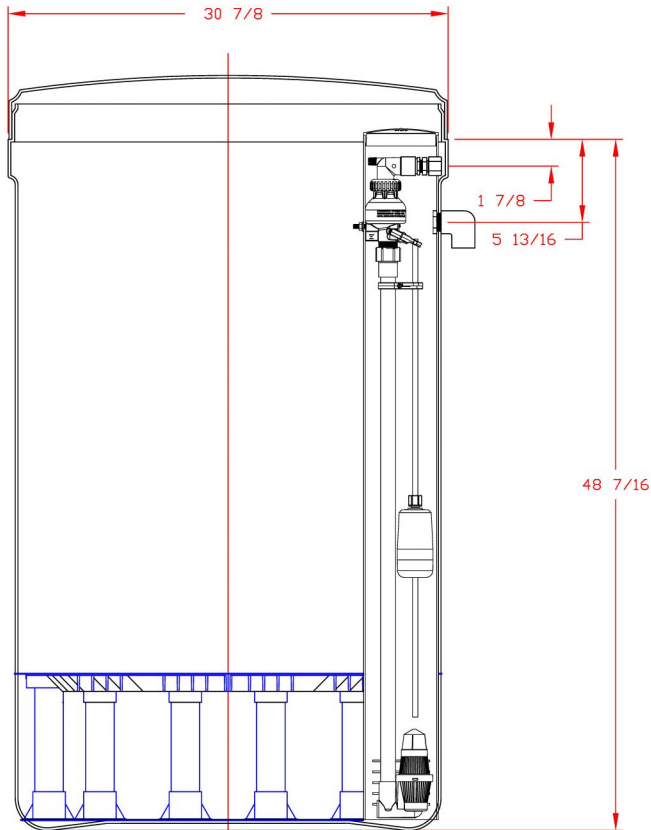


**Optional 30" Plastic Grid
(Includes two 1.5" x 48" Schedule 40 PVC pipes)**

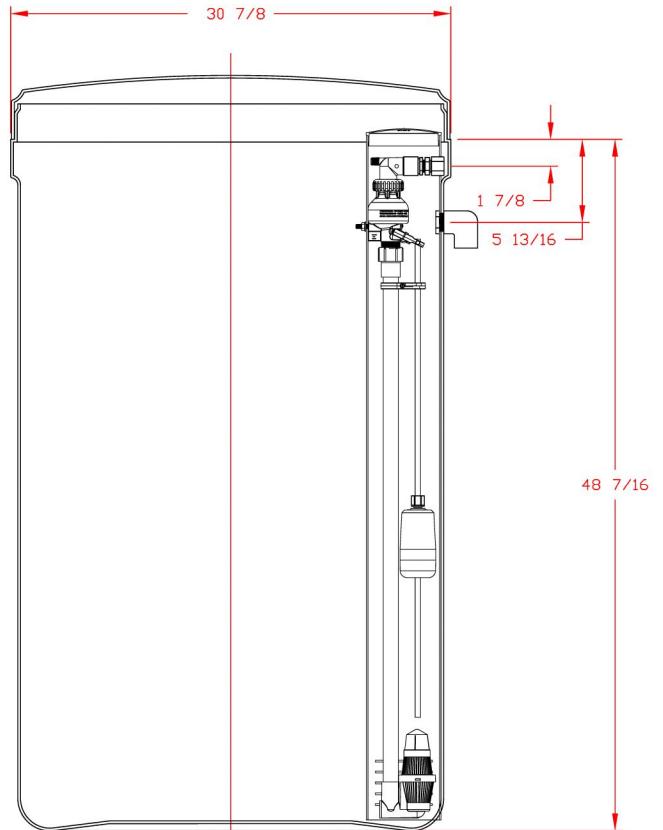
Order Number	Description	Qty/Ctn	List Price
J73050C	30x50 Brine Tank Assembly Kit with 494 1" Commercial Brine Valve with Grid	1	\$580.00
J73050C-01	30x50 Brine Tank Assembly Kit with 494 1" Commercial Brine Valve without Grid	1	\$454.00

Please Note: 1. Use your Brink Tank Assembly discount to determine your cost. 2. Order in multiples of four.

30 x 50 Brine Tank Assembly Kit with 494 1" Commercial Brine Valve



Order No. J73050C
30x50 Brine Tank Assembly Kit
with 494 1" Commercial Brine Valve
with Grid



Order No. J73050C-01
30x50 Brine Tank Assembly Kit
with 494 1" Commercial Brine Valve
without Grid

Please Note:

1. When an external Inline Brine Line Flow Control is used, it must be installed at the inlet of the 494 1" Commercial Brine Valve.
2. The 494 1" Commercial Brine Valve has a brine draw rate up to 20 GPM and a refill rate up to 10 GPM.
3. Float height and Air Check height to be determined by the Original Equipment Manufacturer.
4. The Float is easily adjusted with a locking nut.
5. The Brine Tank is pre-drilled from the factory, the Brine Line hole size is $1\frac{5}{16}$ " and the Overflow hole size is $1\frac{5}{16}$ ".